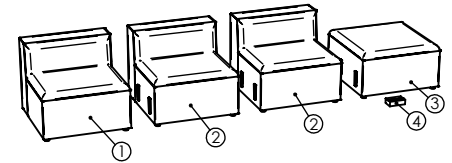
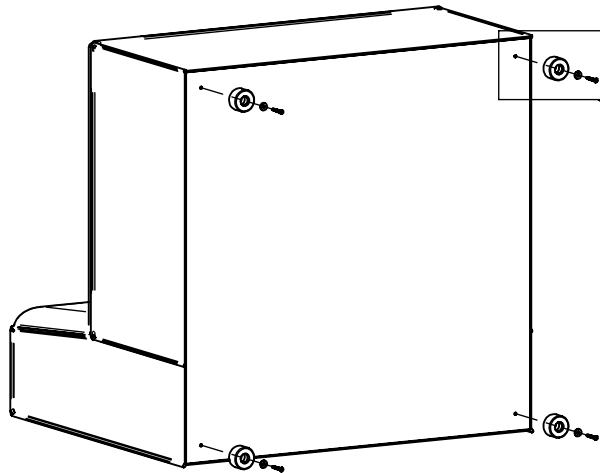
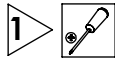


PLANER 2.77.051.474.000

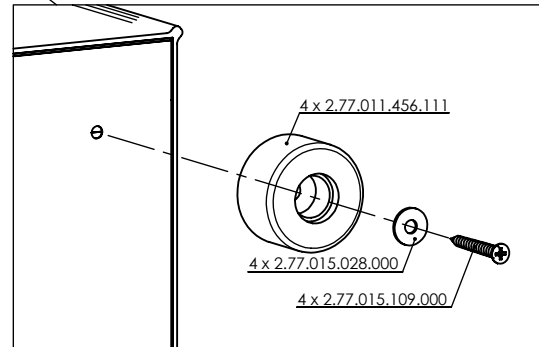


MOBEL LINEA
MUEBLES OFICINA

**INTSTRUCCION MONTAJE PATAS SOFAS - NOTICE DE MONTAGE PIEDS SOFAS
LEGS ASSEMBLY - MONTAGENANLEITUNG GLEITER SOFA**



Bultos / Parcels	Cant. / Qty.
Colis / Fracht Stücke	Qté./Menge
①	1
②	2
③	1
④	1



①	Ref. 1.08.119.001.111	
	Ref. 2.77.011.456.111	Ref. 108.112.003.000
	Ref. 2.77.015.028.000	Ref. 2.77.015.109.000
②		
	DIN 9021	DIN 7505-A
	4	4

④	Ref. 1.119.001.111	
	Ref. 2.77.011.456.111	Ref. 108.112.003.000
	Ref. 2.77.015.028.000	Ref. 2.77.015.109.000
④		
	DIN 9021	DIN 7505-A
	4	4